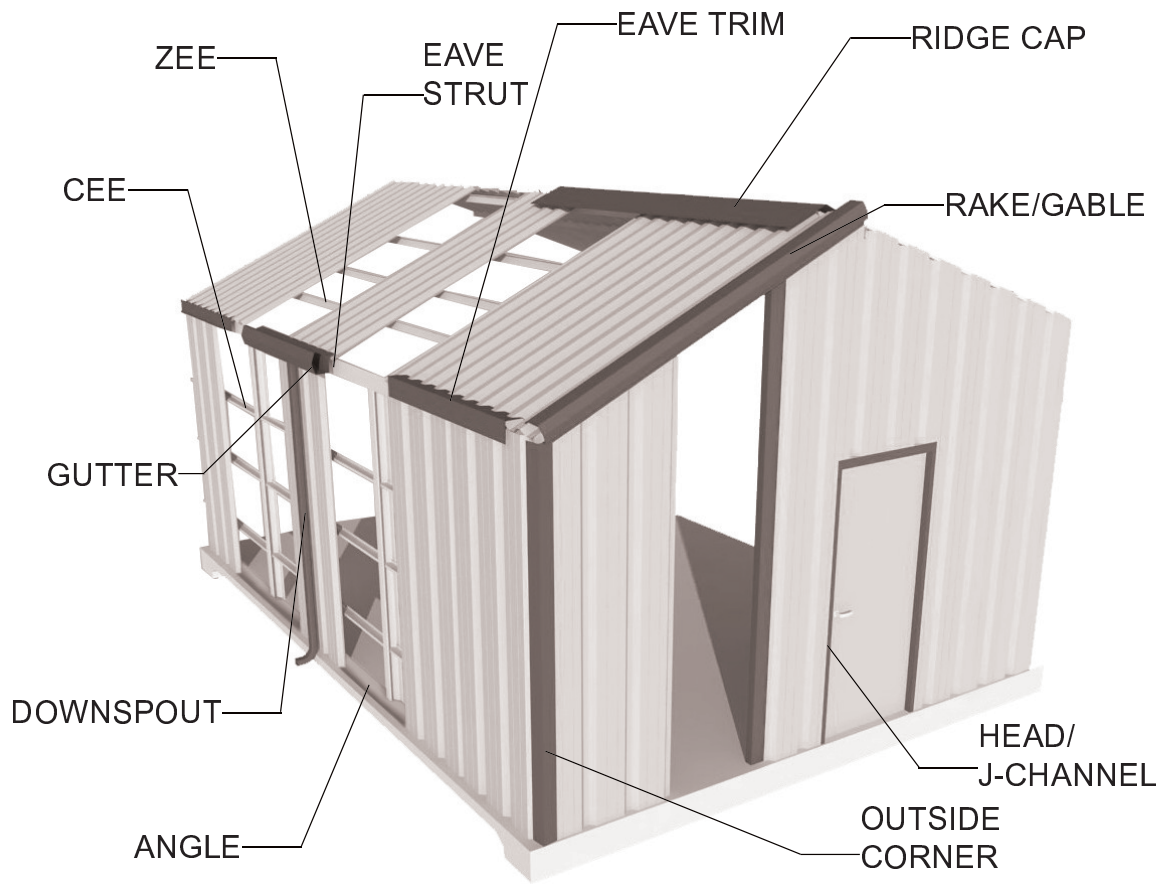


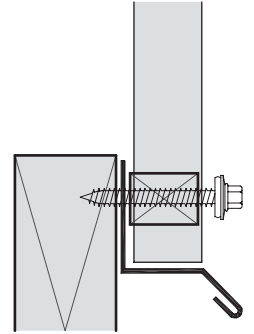
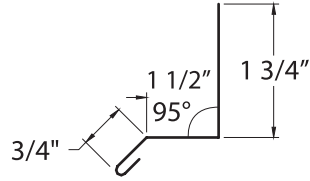
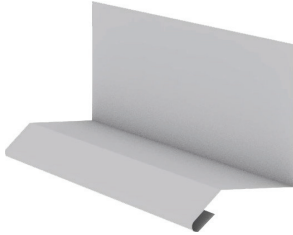
7.2 LONGSPAN TRIM



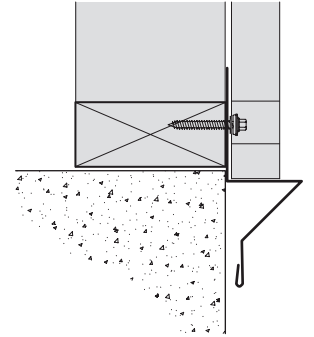
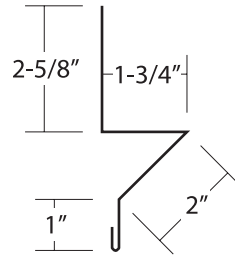
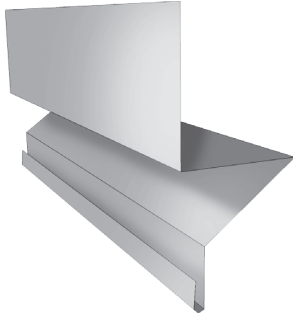
7.2 LONGSPAN TRIM



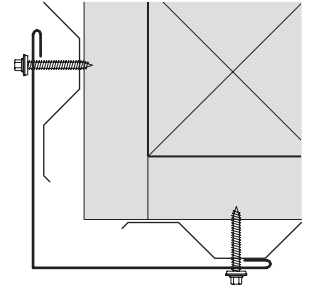
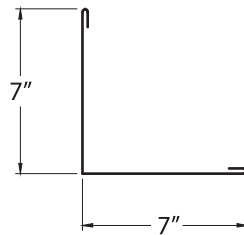
SIMPLE BASE
72TMSPBSXX



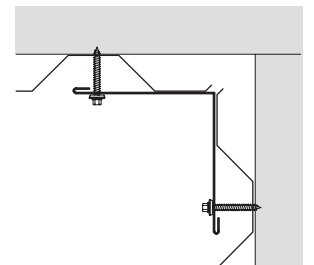
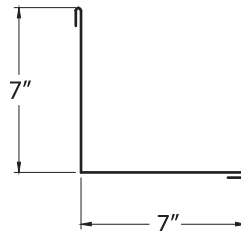
RODENT GUARD
72TMRDGDXX



OUTSIDE CORNER
72TMOUTCNRXX



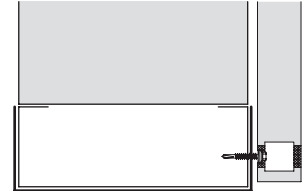
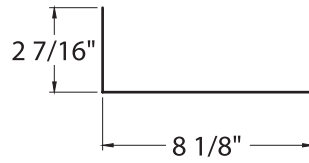
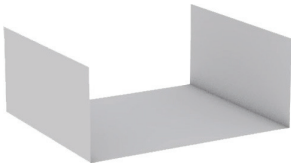
INSIDE CORNER
72TMINGNRXX



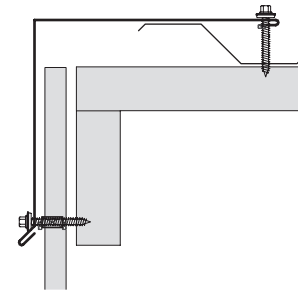
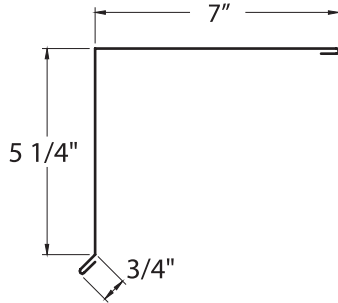
7.2 LONGSPAN TRIM



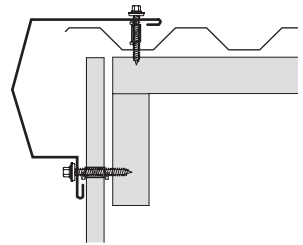
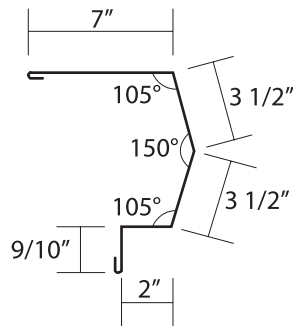
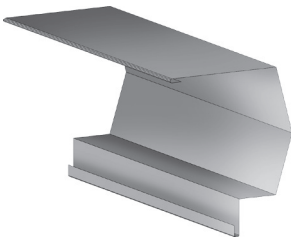
HEAD-JAMB COVER
72TMHDBJXXX



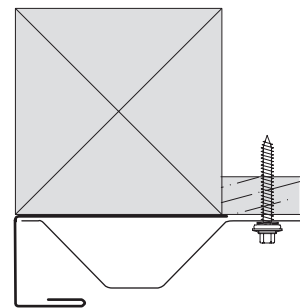
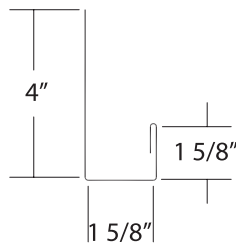
STANDARD RAKE
72TMSTDRKXX



SCULPTURED RAKE
72TMSCLRKXX



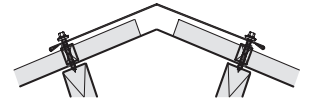
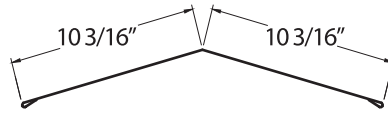
J-CHANNEL / HEAD
72TMHEADXX



7.2 LONGSPAN TRIM

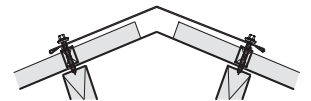
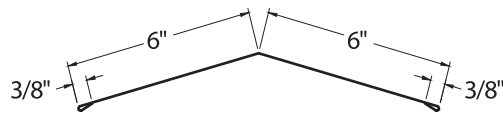


10X10 RIDGE CAP 72TMRDCP10



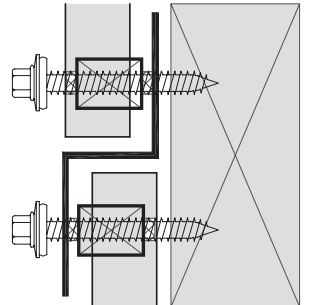
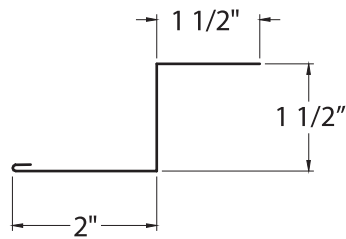
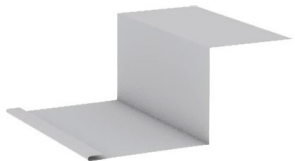
*Roof pitch required

6X6 RIDGE CAP 72TMRDCP6

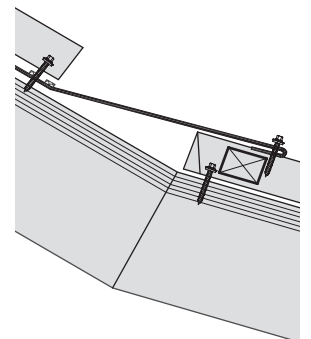
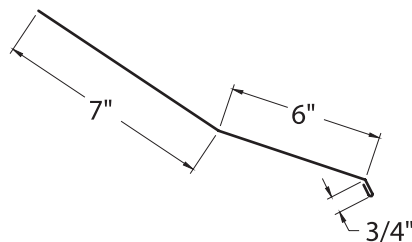


*Roof pitch required

ZEE FLASHING 72TMZFLXX



TRANSITION 72TMRFLXX

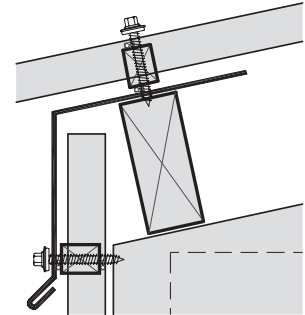
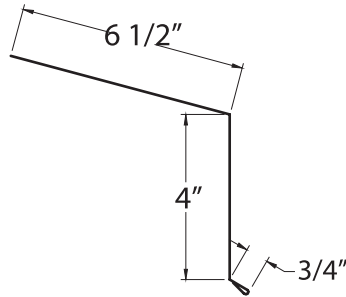


*Roof pitch required

7.2 LONGSPAN TRIM

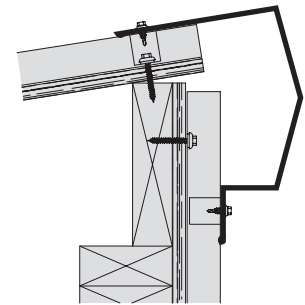
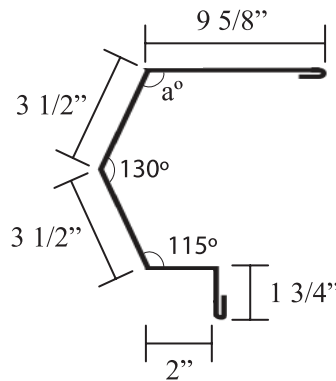


EAVE
72TMSTDEVXX



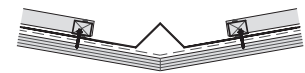
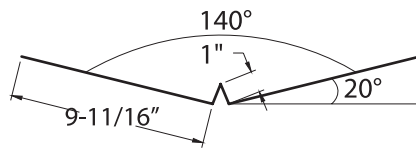
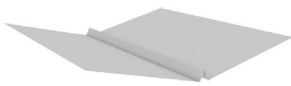
*Roof pitch required

HIGH SIDE EAVE
72TMHSDEVXX

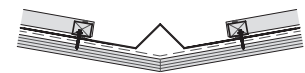
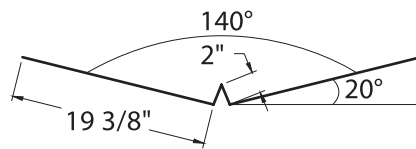
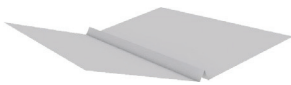


*Roof pitch required

STANDARD VALLEY
72TMSTDVYXX



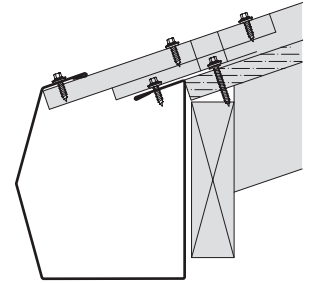
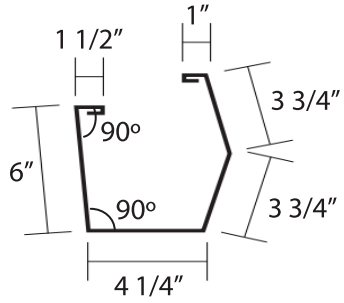
EXTENDED VALLEY
72TMEXDVYXX



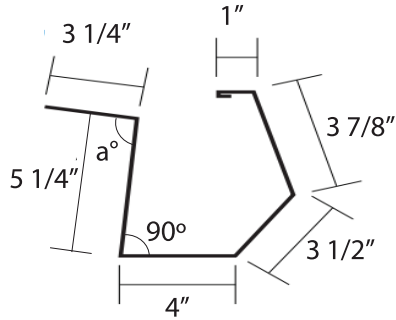
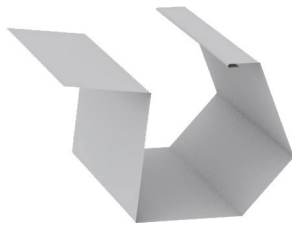
7.2 LONGSPAN TRIM



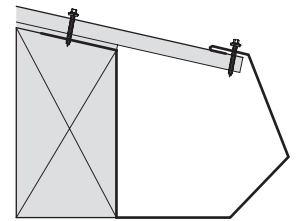
STANDARD GUTTER
72TMSTGTRXX



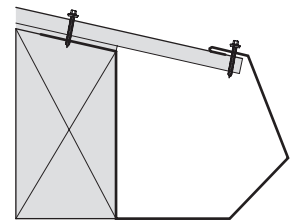
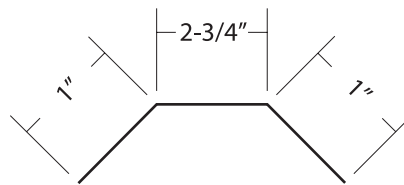
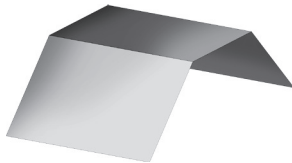
SCULPTURED GUTTER
72TMSCGTRXX



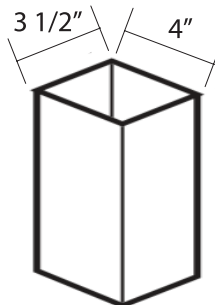
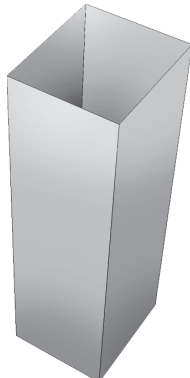
*Roof pitch required



GUTTER STRAP
72TMGTRSTXX



DOWNSPOUT
72TMDWSPXX



7.2 LONGSPAN TRIM



FLAT SHEET



PART CODE	WIDTH	GAUGE	FINISH
FLT29GA4078XX	40 7/8"	29	Color or bare
FLTXXGA4275XX	42 3/4"	24, 26	Color or bare
FLTXXGA4450XX	44 1/2"	24, 26	Color or bare